

Data Sheet

Customer:

Product: Metal Foil Chip Fixed Resistor -MF Series

Sizes: 0603/0805/1206/2010/2512

Issued Date: 18-Oct-18

Edition: REV.A3



VIKING TECH CORPORATION
光頡科技股份有限公司
No.70, Guangfu N. Rd., Hukou
Township, Hsinchu County
303, Taiwan (R.O.C)

TEL:886-3-5972931
FAX:886-3-5972935•886-3-5973494
E-mail:sales@viking.com.tw

VIKING TECH CORPORATION KAOHSIUNG BRANCH
光頡科技股份有限公司高雄分公司
No.248-3, Sin-Sheng Rd., Cian-Jhen Dist., Kaohsiung,
806, Taiwan

TEL:886-7-8217999
FAX:886-7-8228229
E-mail:sales@viking.com.tw

VIKING ELECTRONICS (WUXI) CO., LTD.
光頡電子(無錫)有限公司
No.22 Xixia Road, Machinery & Industry Park,
National Hi-Tech Industrial Development Zone
of Wuxi, Wuxi, Jiangsu Province, China
Zip Code:214028
TEL:86-510-85203339
FAX:86-510-85203667•86-510-85203977
E-mail:china@viking.com.tw

Produced by (QC)	Checked (QC)	Approved by (QC)	Prepared by (Sales)	Accepted by (Customer)
18-Oct-18	18-Oct-18	18-Oct-18	18-Oct-18	
<i>Kris Chen</i>	<i>Ben Chang</i>	<i>Ben Chang</i>		

Metal Foil Chip Fixed Resistor



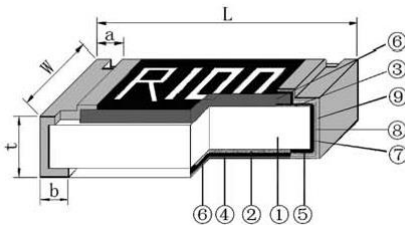
■ Features

- High power rating up to 2 Watts
- Low TCR down to ± 50 PPM/ $^{\circ}$ C
- Current detecting resistors for power supply, Motor circuits, etc
- Superior mechanical and frequency characteristics
- Compliant with RoHS directive

■ Applications

- Switching Power Supply, Over Current Protection
- Voltage Regulation Module (VRM)
- DC-DC Converter, Charger
- Automotive Engine Control, Portable Devices etc.

■ Construction



① Ceramic Substrate	④ Primary Overcoat	⑦ Edge Electrode
② Alloy Plate	⑤ Cu Plating	⑧ Barrier Layer
③ Top Electrode	⑥ Secondary Overcoat	⑨ External Electrode

■ Dimensions

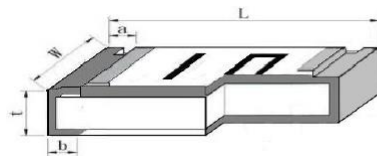


Figure1

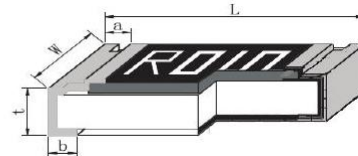


Figure2

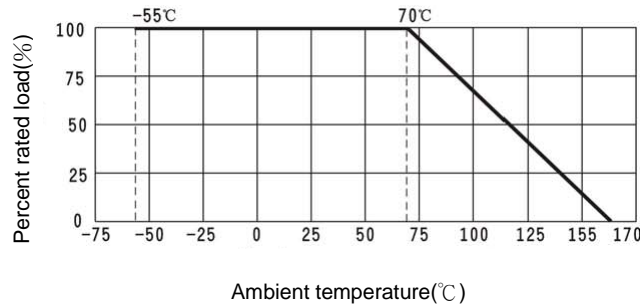
Type	Size (Inch)	Resistance (m Ω)	L mm	W mm	t mm	a mm	b mm
MF03	0603	3-4	1.60 \pm 0.20	0.80 \pm 0.20	0.70 \pm 0.15	0.35 \pm 0.25	0.60 \pm 0.20
		5-30					0.35 \pm 0.20
MF05	0805	3-4	2.00 \pm 0.20	1.25 \pm 0.15	0.70 \pm 0.15	0.40 \pm 0.25	0.70 \pm 0.30
		5-47					0.40 \pm 0.30
MF06	1206	3-4	3.20 \pm 0.20	1.60 \pm 0.15	0.75 \pm 0.15	0.50 \pm 0.30	0.90 \pm 0.30
		5-68					0.50 \pm 0.30
MF10	2010	3	5.00 \pm 0.20	2.50 \pm 0.20	0.75 \pm 0.20	0.60 \pm 0.30	1.60 \pm 0.30
		4-5					1.30 \pm 0.30
		6-100					0.80 \pm 0.30
MF12	2512	2	6.40 \pm 0.20	3.20 \pm 0.20	0.75 \pm 0.20	0.90 \pm 0.30	2.30 \pm 0.30
		3					1.90 \pm 0.30
		4					1.70 \pm 0.30
		5-6					1.20 \pm 0.30
		7					1.10 \pm 0.30
		8-200					0.90 \pm 0.30

■ Figure 1 for MF03 / MF05<10m Ω / MF10 type ; Figure 2 for MF05 \geq 10m Ω / MF06 type / MF12 type

Part Numbering

MF	06	J	T	E	U	R005
Product Type	Dimensions (LxW)	Resistance Tolerance	Packaging Code	TCR (PPM/°C)	Power Rating	Resistance
	03: 0603 05: 0805 06: 1206 10: 2010 12: 2512	F: ±1% G: ±2% J: ±5%	T: Taping Reel	D: ±50 E: ±100 F: ±200	Q: 3/4W U: 1/2W T: 1W S: 2W	R005: 0.005Ω R010: 0.01Ω R100: 0.1Ω

Derating Curve



Standard Electrical Specifications

Item Type	Power Rating at 70°C	Operating Temp. Range	Limiting Element Current	Max. Overload Current	Resistance Range(mΩ)			TCR (PPM/°C)
					±1%	±2%	±5%	
MF03	1/2W	-55 ~ +170°C	12.9A	28.9A	3 - 9			±200
					10 - 30			±100
MF05	1/2W, 3/4W	-55 ~ +170°C	15.8A	35.4A	3 - 9			±100
					10 - 47			±50
MF06	1/2W, 1W	-55 ~ +170°C	18.3A	40.8A	3 - 9			±100
					10 - 68			±50
MF10	1W	-55 ~ +170°C	18.3A	40.8A	3 - 9			±100
					10 - 100			±50
MF12	1W	-55 ~ +170°C	18.3A	40.8A	101 - 200			±50
					2			±200
	1W, 2W		25.8A	51.6A	3 - 9			±100
					10 - 100			±50

Current of DC or AC RMS value.

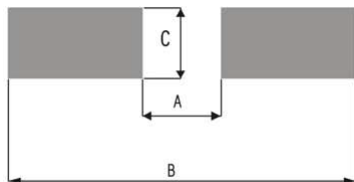
Rated current= $\sqrt{P/R}$ or Limiting element voltage whichever is lower.

■The chip resistor with resistance value below 10mΩ and TCR±50ppm/°C can be customized

Environmental Characteristics

Item	Requirement	Test Method
Temperature Coefficient of Resistance (T.C.R.)	As Spec.	IEC 60115-1 4.8 +20/-55/+20/+125/+20°C
Short Time Overload	No mechanical damage $\Delta R \leq \pm 1\%$	IEC 60115-1 4.13 1/2W&3/4W&1W: 5x rated power for 5s; 2W: 4x rated power for 5s
Endurance		IEC 60115-1 4.25.1 70±2°C, 1000 hrs, rated current or limiting element current whichever is lower for 1.5 hrs "ON" and 0.5 hr "OFF"
Endurance at upper Category Temperature		IEC 60115-1 4.25.3 at 170±2°C for 1000 hrs
Damp Heat Steady State		IEC 60115-1 4.24 40±2°C, 93±3% RH, 1000 hrs, rated current or limiting element current whichever is lower for 1.5 hrs "ON" and 0.5 hr "OFF"
Rapid Change of Temperature		IEC 60115-1 4.19 -55°C(30min) → normal temperature(5min) → 155°C(30min), 100 cycles
Solderability	95% min. coverage	IEC 60115-1 4.17 245±5°C for 3±0.3 seconds
Resistance to Soldering Heat	No mechanical damage $\Delta R \leq \pm 1\%$	IEC 60115-1 4.18 270±5°C for 10±1 seconds
Substrate Bending Test		IEC 60115-1 4.33 0603&0805:5mm;1206:4mm;2010&2512:2mm Duration: 60±5 seconds
Insulation Resistance	>1000MΩ	IEC 60115-1 4.6 Apply DC 100V±15V between substrate and terminations for 1min, then check insulation resistance
Voltage Proof	No breakdown or flashover	IEC 60115-1 4.7 Apply max. overload voltage of AC RMS at a rate of approximately 100V/s between substrate and terminations for 60±5 seconds
Component Solvent Resistance	No mechanical damage $\Delta R \leq \pm 1\%$	IEC 60115-1 4.29 Iso-propyl alcohol (IPA), 23±5°C, 10hrs

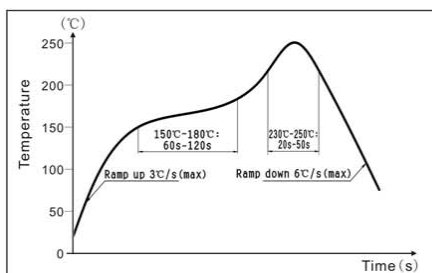
Recommend Land Pattern



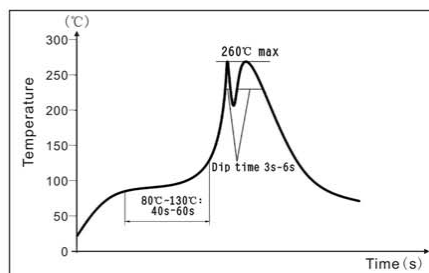
Type	Resistance	A mm	B mm	C mm
MF03	3mΩ - 4mΩ	0.4	2.8	1.0
	5mΩ - 30mΩ	0.6		
MF05	3mΩ - 4mΩ	0.5	3.2	1.4
	5mΩ - 47mΩ	0.8		
MF06	3mΩ - 4mΩ	0.8	4.4	1.8
	5mΩ - 68mΩ	1.8		
MF10	3mΩ - 9mΩ	1.6	6.3	2.9
	10mΩ - 100mΩ	2.7		
MF12	2mΩ - 4mΩ	1.0	8.0	3.4
	5mΩ - 200mΩ	3.8		

Soldering Condition

Recommended reflow profile



Recommended wave solder profile

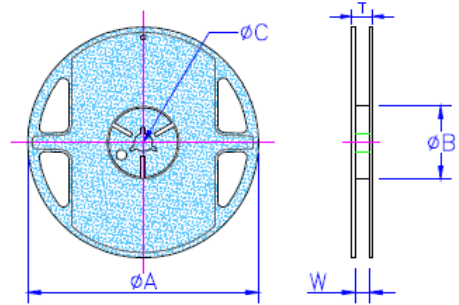


■Packaging

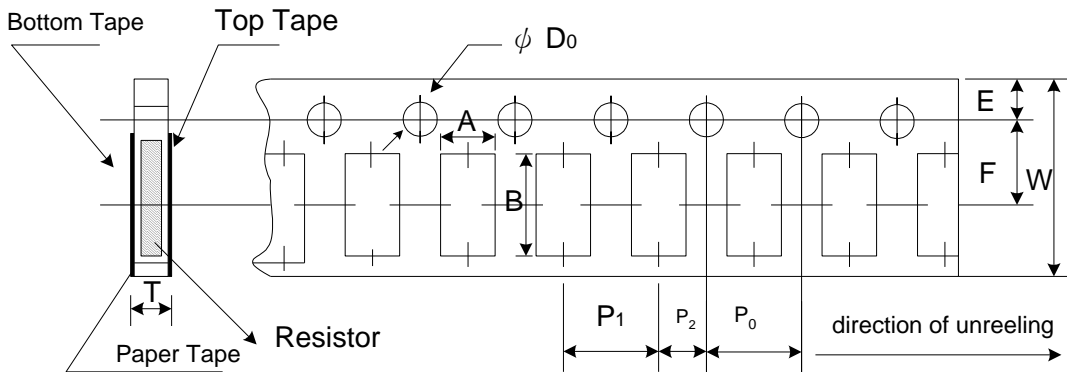
Packing Quantity & Reel Specifications

Unit :mm

Type	∅A	∅B	∅C	W	T	Paper Tape (EA)	Emboss Plastic Tape (EA)
MF03	178.0±2.0	58.0±2.0	13.0±0.5	9.5±1.0	12.5±1.5	5,000	-
MF05	178.0±2.0	58.0±2.0	13.0±0.5	9.5±1.0	12.5±1.5	5,000	-
MF06	178.0±2.0	58.0±2.0	13.0±0.5	9.5±1.0	12.5±1.5	5,000	-
MF10	178.0±2.0	57.0±2.0	13.0±0.5	13.0±0.5	15.5±1.5	-	4,000
MF12	178.0±2.0	57.0±2.0	13.0±0.5	13.0±0.5	15.5±1.5	-	4,000



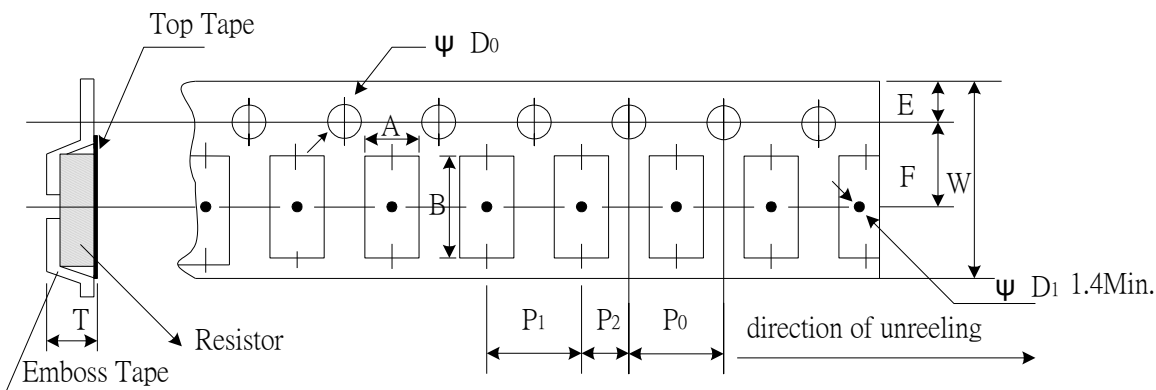
Paper Tape Specifications



Unit: mm

Type	A	B	W	E	F	P ₀	P ₁	P ₂	∅D ₀	T
MF03	1.10±0.10	1.85±0.10	8.00±0.20	1.75±0.10	3.5±0.05	4.00±0.10	4.00±0.10	2.00±0.05	1.50±0.10	0.75±0.10
MF05	1.65±0.10	2.35±0.10	8.00±0.20	1.75±0.10	3.5±0.05	4.00±0.10	4.00±0.10	2.00±0.05	1.50±0.10	0.95±0.10
MF06	1.90±0.20	3.50±0.20	8.00±0.20	1.75±0.10	3.5±0.05	4.00±0.10	4.00±0.10	2.00±0.05	1.50±0.10	0.95±0.10

Emboss Plastic Tape Specifications



Unit: mm

Type	A	B	W	E	F	P ₀	P ₁	P ₂	∅D ₀	T
MF10	2.82±0.15	5.50±0.15	12.0±0.10	1.75±0.10	5.5±0.05	4.00±0.05	4.00±0.10	2.00±0.05	1.50±0.10	0.84±0.10
MF12	3.45±0.15	6.78±0.15	12.0±0.10	1.75±0.10	5.5±0.05	4.00±0.05	4.00±0.10	2.00±0.05	1.50±0.10	0.81±0.10